

# CORPORATE REFERENCE LIST

Updated January 2017



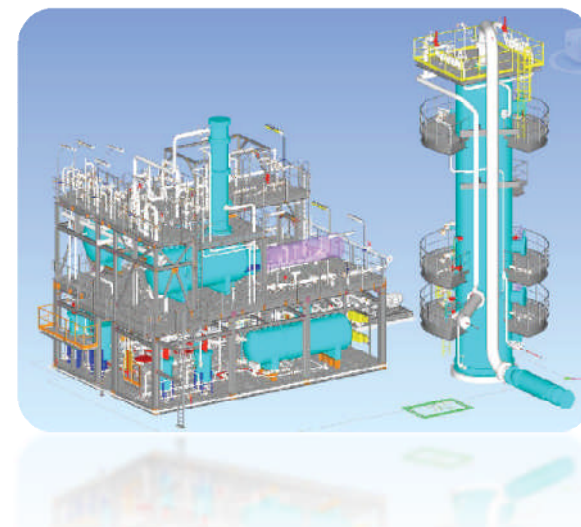
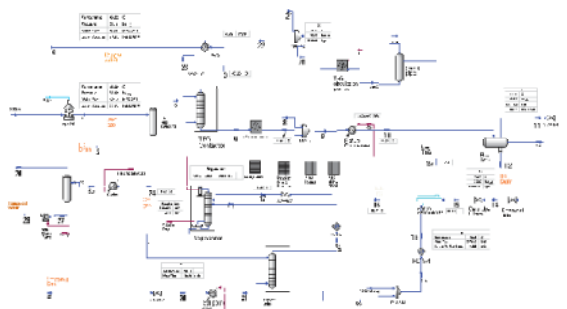
# INDEX

<b>ENGINEERING STUDIES</b>	<i>Section A</i>
<b>OIL &amp; GAS - PROCESS</b>	<i>Section B</i>
<b>MODULARIZED BUILDINGS</b>	<i>Section C</i>
<b>EPC POWER PLANTS</b>	<i>Section D</i>
<b>SITE ACTIVITIES</b>	<i>Section E</i>

# REFERENCE LIST

## ENGINEERING STUDIES

Updated January 2017



## ENGINEERING STUDIES

CLIENT	MANHOURS	TYPE - SERVICE	LOCATION	PROJECT	YEAR OF DELIVERY	END USER
LOBP	10.700	Lube Oil Blending Plant Basic Design	UAE	Lube Oil Blending Plant	2000	SHARLU
SET	4.900	Mechanical Engineering	Italy	CHP PLANT based on GE LM 2500 STIG gas turbine 27MWe (Trecate)	2001	SET
GRANHERNE INC.	5.000	MEG Reclamation Package Conceptual Study	Indonesia	West Seno Project - FPU	2006	CHEVRON
SMURFIT KAPPA	850	Basic Engineering	Italy	Cogeneration Power 10MWe	2009	SMURFIT KAPPA
ZADCO	4.000	Study for Prevention of Glycol System Fouling	UAE	Upper Zakum Gas Treatment Plant	2011	ZADCO
AGIP KCO	120.000	P.U.B (Process Utilities Building) Engineering	Kazakhstan	Kashagan	2011	NCOC
CONDINO ENERGIA	1.050	Basic & Detailed Engineering	Italy	Integration of Biomass Power Plant into CHP Power plant	2012	CONDINO ENERGIA
OLIO RESOURCES	13.500	Conceptual & FEED	Malaysia	Waste Lube Oil Refinery	2012	PETRONAS CARIGALI
ADGAS	1.300	Study for optimization and efficiency increase of Gas Dehydration Trains	UAE	OAG III - Offshore Associated Gas Plant	2014	ADGAS
BUMI ARMADA	39.000	Topsides FEED (Technology Selection & FEED Verification)	Indonesia	FPSO Madura	2014	HUSKY

## ENGINEERING STUDIES

CLIENT	MANHOURS	TYPE - SERVICE	LOCATION	PROJECT	YEAR OF DELIVERY	END USER
DAEWOO E&C LTD.	950	Slug Catcher - Finger Type COMART Design	Iraq	Akkas CPF	2014	KOGAS
BLUEWATER	11.400	Topsides Basic Engineering	Mexico	FPSO EWT	2015	PEMEX
AFP (AKER FLOATING PRODUCTION)	500	Trouble Shooting Process Study	India	Smart One FPSO Dhirubhai-1	2015	RELIANCE INDUSTRIES LIMITER
MAERSK OIL QATAR	450	Fuel Gas Process Study	Qatar	Al Shaheen	2015	MAERSK OIL QATAR
PT M3 KETAPANG SAJAHTERA	400	E-House Technical Assistance	Indonesia	Bukit Tua FPSO	2016	PETRONAS CARIGALI